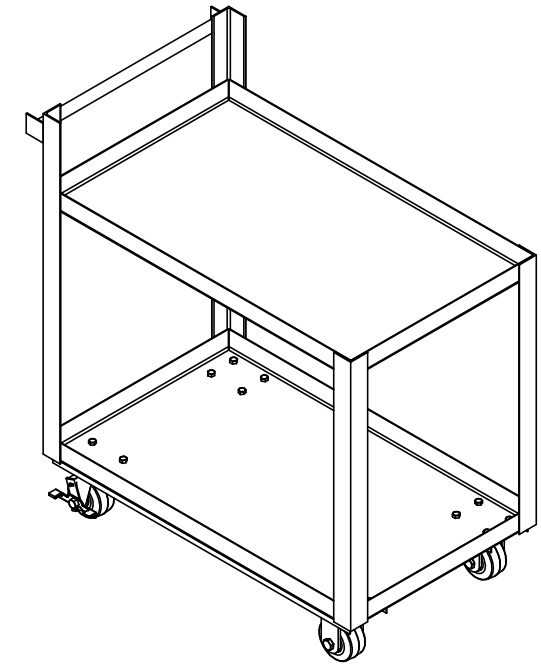
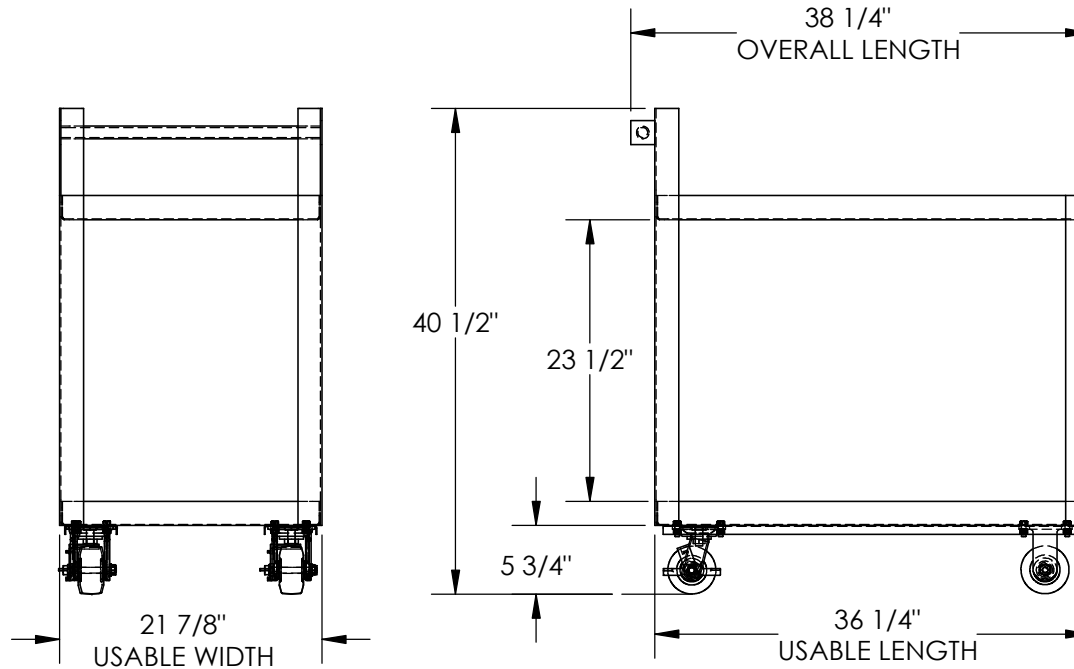


SERVICE CARTS - SCS2-2236

APPROX WEIGHT: 86.91 lbs.
DOES NOT INCLUDE WEIGHT OF POWER OR PACKAGING!!!

*** ANY ADDITIONS, DELETIONS, OR OMISSIONS MUST BE CORRECTED ON THIS DRAWING AS THIS DRAWING WILL BE CONSIDERED ALL INCLUSIVE ***

ALL GRAPHICS PROVIDED ARE FOR REFERENCE ONLY. IF CERTAIN DIMENSIONS ARE CRITICAL PLEASE VERIFY THOSE DIMENSIONS WITH YOUR SALESPERSON



STANDARD FEATURES

MODEL NUMBER IS SCS2-2236
 OVERALL WIDTH IS 21 7/8"
 USABLE WIDTH IS 21 7/8"
 OVERALL LENGTH IS 38 1/4"
 USABLE LENGTH IS 36 1/4"
 OVERALL HEIGHT IS 40 1/2"
 MAX CAPACITY IS 1,000 lbs. (550 LBS. PER SHELF)
 STEEL FRAME CONSTRUCTION
 SHELF CLEARANCE 23 1/2"

DIMENSION TOLERANCE ± 1/4"

APPROVAL	I, THE UNDERSIGNED, AGREE THAT THE PRODUCT AS REPRESENTED SATISFIES DESIGN AND DIMENSION REQUIREMENTS. I ALSO ACKNOWLEDGE MY DUTY TO CONFIRM PRODUCT AND INSTALLATION COMPLIANCE WITH ALL APPLICABLE FEDERAL, STATE AND LOCAL REGULATIONS AND STANDARDS.	
	ANY MODIFIED UNITS ARE NON-RETURNABLE	
	[] As drawn [] As marked	
	Signed: _____	Date: _____
	Printed Name: _____	
LEAD TIME WILL START UPON RECEIPT OF SIGNED APPROVAL DRAWING		

SPECIAL FEATURES

NONE

FOR INTERNAL USE ONLY PROJECT SIGN OFF	
SALES	
ENG.	
FAB.	
POWER	

DISTRIBUTOR'S NAME: HOF EQUIPMENT COMPANY		P.O.# X
PH: 888-990-1150		W.O.# X
DRAWN BY: B.HORN	DATE: 07/16/2014	SALES: X
REFERENCE: X	SCALE: 1:16	FILE NAME: 16-007-106
QUOTED LEAD TIME: X	QUOTE # X	